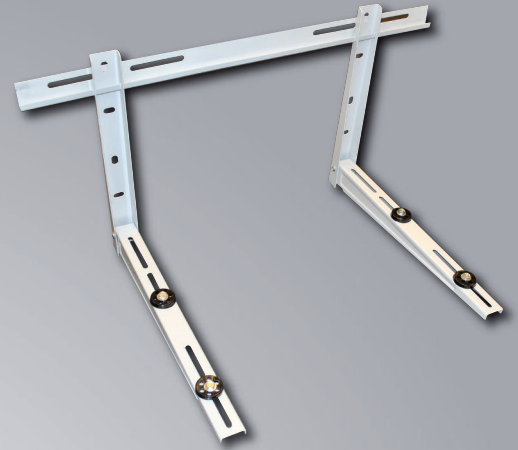
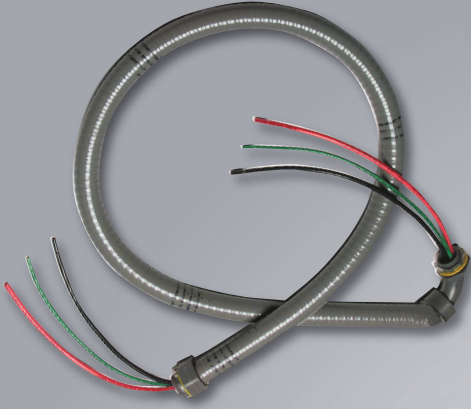


# Mini-Split Components Installation Package



# Installation Package

## Mini-Split Components

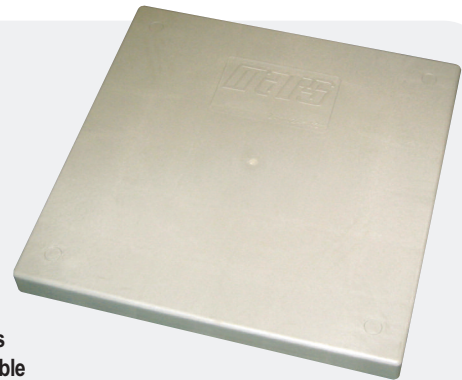
### MARS A/C Condenser Pads

#### Features & Benefits:

- UV stable – prevents weathering or cracking
- Chemical resistant
- Solid wall construction
- Will not chip or crack
- Lightweight
- Textured surface – prevents unit from sliding
- Unique footpads – prevent unit from sinking into ground

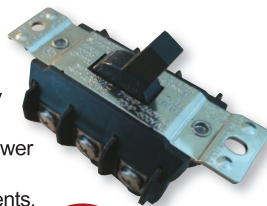
MARS No.	Description	Case Qty.
93560	24" x 24" x 2"	44
93561	24" x 36" x 2"	22

- Rugged, easy to handle
- Weed wackers won't destroy the corners
- Two and three inch thick pads are available



### 3 Pole Mini-Split Disconnect Switch

Local codes require a disconnect switch to safely shut off power for indoor mini-split AC and Heat Pumps. The disconnect switch will break both power lines L1 and L2 along with the high voltage communicating line to meet local code requirements.



- UL 30 amp rated motor disconnect
- 3 pole
- 600V max

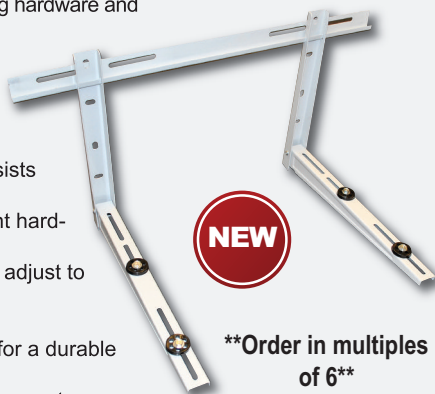


MARS NO.	DESCRIPTION	MARS PACK	CASE QTY
84711	30A-600V 3 Pole 3Ph AC Motor Switch(Bulk)	1	100

### MARS Universal Mini-Split Condenser Wall Mount Brackets

MARS mini-split brackets are available in three sizes to accommodate mounting of popular mini-split compressors.

Bracket kits include mounting hardware and vibration absorbers for a professional installation. Pre-assembled vertical supports speed installation.



**\*\*Order in multiples of 6\*\***

- Powder Coat Finish - resists rust and corrosion
- Mounting and attachment hardware included
- Bracket width and depth adjust to accommodate compressor size
- Vibration pads included for a durable and quiet installation
- Pre-assembled vertical supports reduce installation time

MARS NO.	SIZE	LOAD CAPACITY (LBS)
93640	14.5" x 18" x 33.5"	260
93641	18" x 22" x 33.5"	330
93642	18" x 24" x 33.5"	400

### MARS Universal Remote Control for Mini-Split Units

MARS Universal Remote will operate with virtually any mini-split produced in any region of the world. Programming is accomplished by inputting your mini-split brand code or use the easy and intuitive self learn mode to set-up the remote to operate your Mini-Split. Operates with 2 AAA batteries.



- One touch function with LCD display
- Brail enabled
- Celsius or fahrenheit display
- Clock display
- 24 Hr. on/off timer for energy savings
- Displays room temperature
- Energy saver feature
- Automatically determines heat or cool mode

MARS NO.	DESCRIPTION	MARS PACK
65775	Mini-Split Universal Remote	1

### MARS A/C Mounting Brackets



Heavy duty engineered steel A/C brackets are used for mounting A/C condensers and heat pumps on vertical walls. Brackets include mounting holes and are finished in a durable gray powder coat.

MARS NO.	DESCRIPTION	MARS PACK
93630	30" Powder Coated Steel Bracket	1 Pair
93631	36" Powder Coated Steel Bracket	1 Pair
93632	42" Powder Coated Steel Bracket	1 Pair
93636	48" Powder Coated Steel Bracket	1 Pair

\* Load or wall load limitations is restricted by strength of hardware used

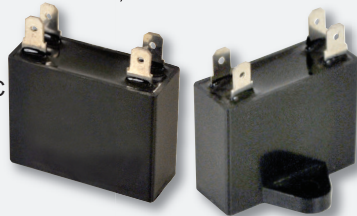
## Mini-Split Components

### MARS Mini-Split Run Capacitors

MARS mini-split motor run capacitors are epoxy/resin sealed and widely used as the start-up and/or run capacitor for your motor. They feature very small dissipation factor and inherent temperature rise, high insulation resistance, and stable capacitance.

#### Technical Specification:

- Ambient temperature: 70° C
- Rated voltage: 450 VAC
- Capacitance tolerance: ±5
- 50/60 Hz
- Standard: IEC252-2001



MARS NO.	DESCRIPTION	DIMENSIONS		
		H	D	W
12380	1 MFD X 450V	1-1/2	X 1/2	X 1
12381	1.5 MFD X 450V	1-1/2	X 1/2	X 1
12382	2 MFD X 450V	1-1/2	X 1/2	X 1
12383	2.5 MFD X 450V	1-1/2	X 3/4	X 1-1/4
12384	3 MFD X 450V	1-1/2	X 3/4	X 1-1/4
12385	3.5 MFD X 450V	1-7/8	X 3/4	X 1-3/8
12386	4 MFD X 450V	1-7/8	X 3/4	X 1-3/8
12388	5 MFD X 450V	1-7/8	X 7/8	X 1-3/8
12390	6 MFD X 450V	1-7/8	X 1	X 1-1/2

### MERCURY Mini-Split Pump Kit

Mercury pumps are designed for wall mount ductless mini-split AC units and evaporator coil applications. Pump mounting is flexible and can be installed in the evaporator unit, duct channel or above the unit in the ceiling.

Kit Includes – Pump, reservoir with safety switch, adapter, cable ties, tubing to connect pump and reservoir, velcro mounting tape for ease of installation and service.

- Self priming, fully potted pump
- Silent operation
- 26 Ft lift
- 2.6 Gallon per hour condensate capacity
- Standard safety switch provides connections for unit shut down and alarm.
- For use with equipment up to 25,000 BTU's



MARS NO.	VOLTAGE	HEAD	0 FT.	13 FT.	20 FT.	26 FT.
21790	115 V 60Hz	GPH	2.64	2.38	1.59	0.92

### Mini-Split Wire



CORRA/CLAD CABLE	
84470	14/3 Solid THHN w/Ground – 50' Roll
84471	14/3 Solid THHN w/Ground – 250' Reel
COMPACT CABLE	
84473	14/4 Solid THHN Compact 600 – 50' Roll
84474	14/4 Solid THHN Compact 600 – 250' Reel
84479	14/4 Stranded THHN Compact 600V – 50' Roll
84480	14/4 Stranded THHN Compact 600V – 250' Reel
84475	14/7 Stranded THHN Compact 600 – 250' Reel
SHIELDED LOW VOLTAGE CABLE	
84476	18/2 Stranded BC Shielded – 50' Roll
84482	18/2 Stranded BC Shielded – 500' Reel
84478	18/4 Stranded BC Shielded – 50' Roll
84483	18/4 Stranded BC Shielded – 500' Reel
EZ-IN™ CABLE – APPROVED FOR BOTH OUTSIDE AND INSIDE	
84486	14/4 Stranded E-Z In, 600V, 50' Roll
84487	14/4 Stranded E-Z In, 600V, 250' Reel



### MARS Clear Vinyl Tubing



79131-36

MARS NO.	DESCRIPTION	CASE QTY.
79131	1/4" ID clear tubing 32 PSI - .375 O.D.	100 feet
79132	3/8" ID clear tubing 27 PSI - .500 O.D.	100 feet
79133	1/2" ID clear tubing 24 PSI - .625 O.D.	100 feet
79134	5/8" ID clear tubing 21 PSI - .750 O.D.	100 feet
79135	3/4" ID clear tubing 19 PSI - .890 O.D.	100 feet
79136	7/8" ID clear tubing 16 PSI - 1.015 O.D.	50 feet

### MARS HVAC Surge Protective Device

MARS SPD is designed to protect the entire HVAC unit and controls.

- Compressors
- Heat pumps
- ECM motors
- Control boards and sensors

All MARS Surge Protection devices utilize state-of-the-art TPMOV® surge technology



#### Specifications:

MARS NO.	VOLTAGE	WIRE CONFIGURATION	SPD TYPE	MCOV	ENCL	UL 1449 3RD EDITION	WARRANTY
83900	120/240	L1,L2,L/N-G	1 or 2	150/300	Type 4X	YES-CSA	3 Years



250 Rabro Drive East  
Hauppauge, New York 11788

PRESORT STANDARD  
U.S. POSTAGE  
**PAID**  
PERMIT #255  
HICKSVILLE, NY

## Mini-Split Components

### MARS Flexible Mini-Split Line Set Connectors



MARS flexible line set connectors provide ease of installation for mini-split indoor evaporator units. Flexible line sets allow for line set connection prior to mounting the unit on the wall. Flexible line sets eliminate copper line kinking during the installation process and provide for future ease of service of the AC unit. All flex line sets are 36in. in length to facilitate installation of wall mount evaporators.

#### Features

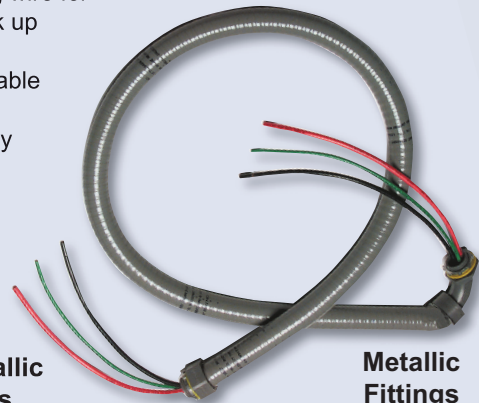
- High pressure stainless steel braided line rated to 800 psi
- R410a compatible
- 3 inch copper stubs
- 36 inch overall length



MARS NO.	DESCRIPTION	CASE QTY
52345	1/4" X 36" Mini Split Flex Line Set	1
52346	3/8" X 36" Mini Split Flex Line Set	1
52347	1/2" X 36" Mini Split Flex Line Set	1
52348	5/8" X 36" Mini Split Flex Line Set	1

### MARS A/C Whips

- Assembly UL listed
- Extra long wire for easy hook up
- 8' whips also available
- Bagged individually



#### Non-Metallic Fittings

MARS NO.	DESCRIPTION
84131	4' x 1/2" x 10 gauge
84133	4' x 3/4" x 8 gauge
84135	6 x 1/2 x 10 gauge
84137	6' x 3/4" x 8 gauge

#### Metallic Fittings

MARS NO.
84132
84134
84136
84138

## MARS Disconnect Boxes

### Side Open Pullout



MARS NO	DESCRIPTION	STD. PACK
80315	60 amp non-fused	6
80316	30 amp fused	6
80317	60 amp fused	6

### Front Open Pullout



- Market leader
- High quality box
- UL & CUL
- NEMA 3R, rainproof
- Single phase
- Pullout type

**#1 Best Seller!**

MARS NO.	DESCRIPTION	MARS PACK
83315	60 amp non fused	6
83316	30 amp fused	6
83317	60 amp fused	6
83396	Compact 30 amp fused	6



#### MARS No. 83335

**Description:**  
Generic brand 60 amp non-fused  
**MARS Pk: 6**

